

POSITION INDICATOR

DISPROG1

Model : DISPROG1

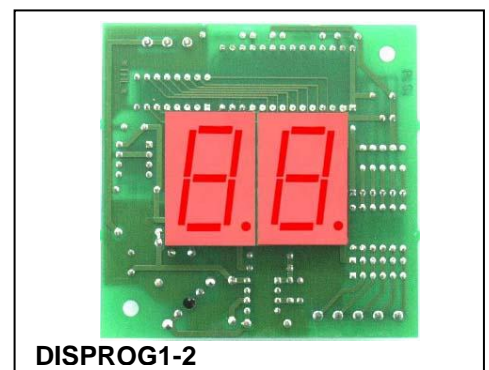
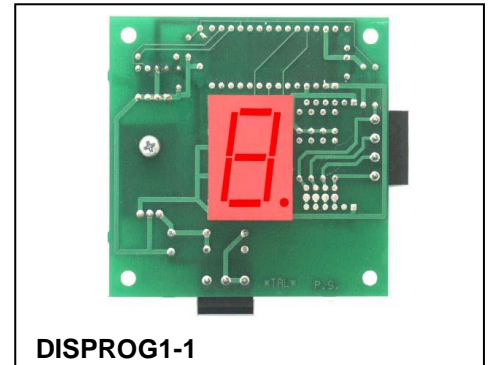
DATA SHEET

- ❖ 7 Segments Display.
- ❖ Red colored Display.
- ❖ Binary or Gray Signalization.
- ❖ Active high or Active low inputs.
- ❖ Field Programmable.

Description

The DISPROG1 is a Position Indicator for elevators, it is designed to display current floor position of the elevator.

The DISPROG1 can be programmed by the user on site, or in the laboratory, by a hand held programming tool. Display in red colored.

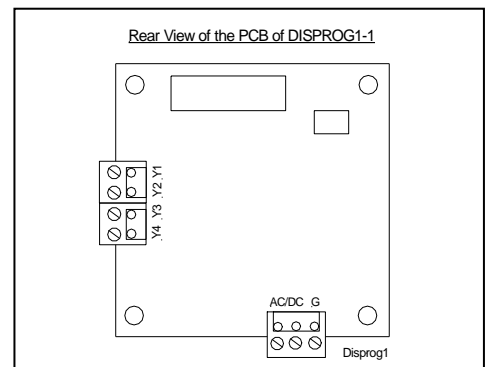


Wire connection to DISPROG1-1:

Y1...Y4 : 4 Bit Binary or Gray combination for floor display selection.

AC/DC : Supply, +24V DCm.

G : 24V Return.

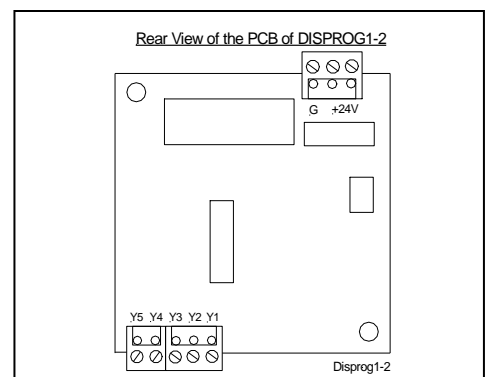


Wire connection to DISPROG1-2:

Y1...Y5 : 5 Bit Binary or Gray combination for floor display selection.

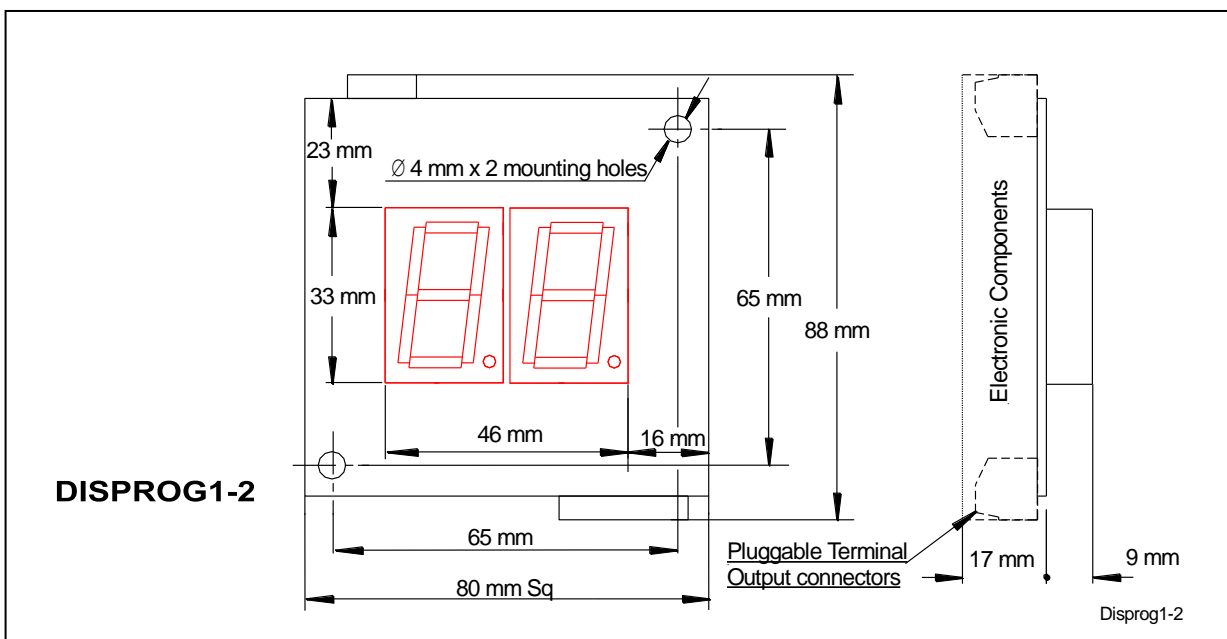
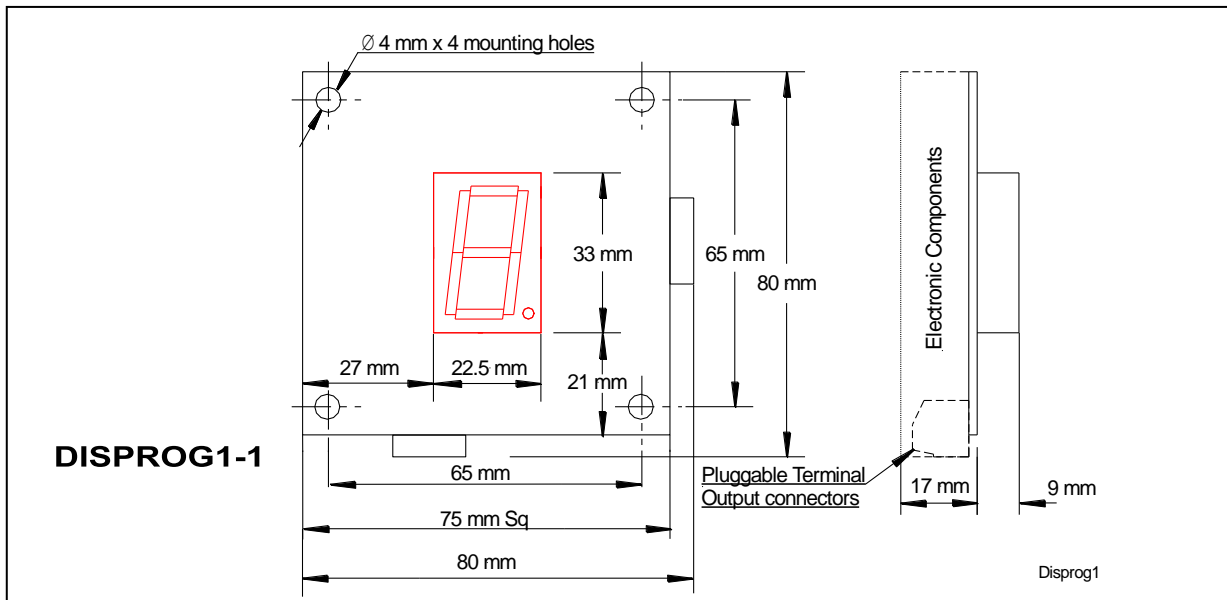
24V : Supply, +24V DCm.

G : 24V Return.



Specifications

	DISPROG1-1	DISPROG1-2
Power supply	10 to 24V DCm.	10 to 30V DCm.
Current consumption	80mA max.	80mA at 12V & 50mA at 24V
Signalization	4 wires, Y1 Y4 Binary or gray code.	5 wires, Y1 Y5 Binary or gray code.
Display	One digit 7 segments red colored.	Two digits 7 segments red colored.
Input threshold, all inputs	0V DC - 6V DC = "0" 8V DC - 24V DC = "1", High Impedance	
Weight	40 grams.	53 grams.

**Ordering Information**

DISPROG1-1	One digit display
DISPROG1-2	Two digits display

TAL Engineering Ltd reserves the right to change specifications without notice

Taleng en PI DISPROG1 DS v1.01

