

CODE LOCK

MODEL CODL6

CODL6

DATA SHEET

- ❖ 3 Independent channels or 6 Independent channels using the optional DSE extension board.
- ❖ 4 Digit code for each channel.
- ❖ Relay outputs.
- ❖ Metal (vandal proof) or plastic keypad.
- ❖ Removable block terminals
- ❖ 12V-24V AC/DC

Description

The code lock has three relays. Using the DSE extension up to 6 relays can be activated. Each relay has it's own unique code, with 4 digits each, as follows:
six codes are entrance codes (codes 1-6).

One code is a change code (code no.7) to change other codes or itself.

All seven codes are programmed during production to: 1,2,3,4. It is recommended that the user shall change these codes.

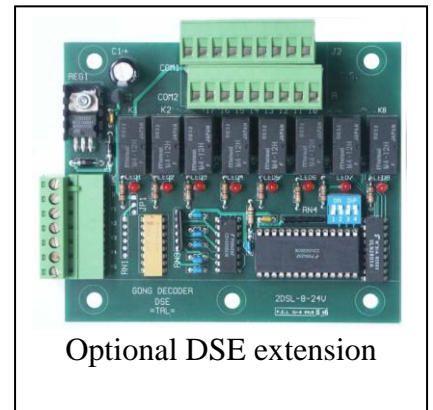
Operating the unit: Enter entrance code, click #, the relay will be activated for four seconds and its associated LED will light according to table 1.

DSE extension

With DSE extension the keypad is able to handle up to 6 user codes and one technician's code. To each user code there is an associated binary combination of the three output relays, as specified in table 1. The technician's code (code7) is used to program change the user codes and the technician's code itself.

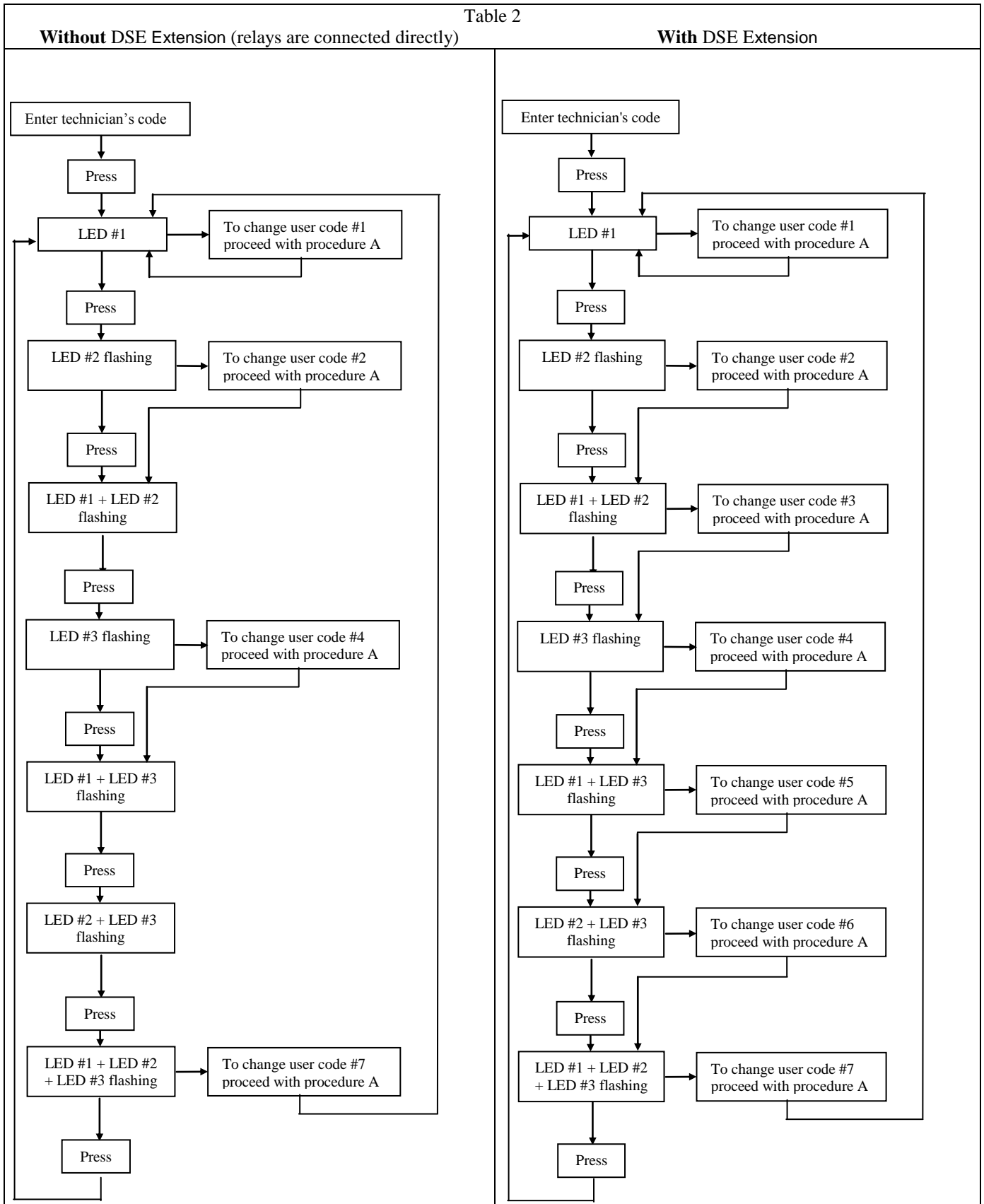
Table 1

Used without DSE	Code # put in	Relay that are activated (when a valid code is put in)	LEDs (lamps) that are activated (when a valid code is put in)
√	Code 1 (user code)	Relay 1	LED 1 ● ○ ○
√	Code 2 (user code)	Relay 2	LED 2 ○ ● ○
	Code 3 (user code)	Relay 1 Relay 2	LED 1+2 ● ● ○
√	Code 4 (user code)	Relay 3	LED 3 ○ ○ ●
	Code 5 (user code)	Relay 1 Relay 3	LED 1+3 ● ○ ●
	Code 6 (user code)	Relay 2 Relay 3	LED 2+3 ○ ● ●
√	Code 7 (technician's code)	Relay 1 Relay 2 Relay 3	LED 1+2+3 ● ● ●



How to change codes (Refer to fig: 1)

Table 2



If user does not remember one code (or more), press on switch S1 (fig 2) for 2 seconds, all codes will return to 1,2,3,4 (initial setting).



Procedure A (programming a single code) in accordance with table 2

While LED(s) is(are) flashing

- 1) Enter new code (4 digits) and press *
- 2) Enter new code again (4 digits) and press *
- 3) If the new code is confirmed the LED stays lit for a short while (flashing stops)
- 4) If the new code is not confirmed the LED will flash very quickly, start Procedure A from the beginning

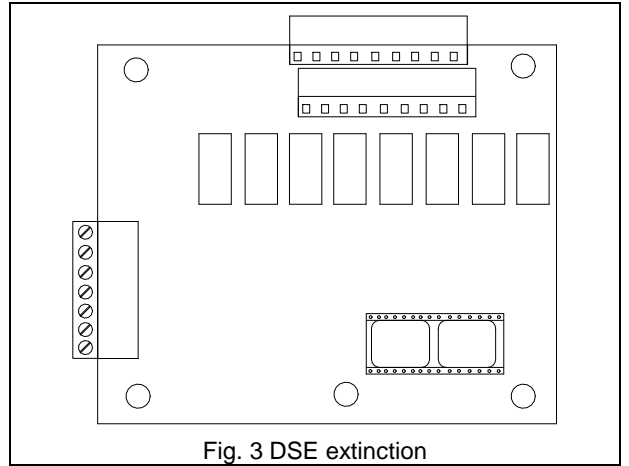


Fig. 3 DSE extinction

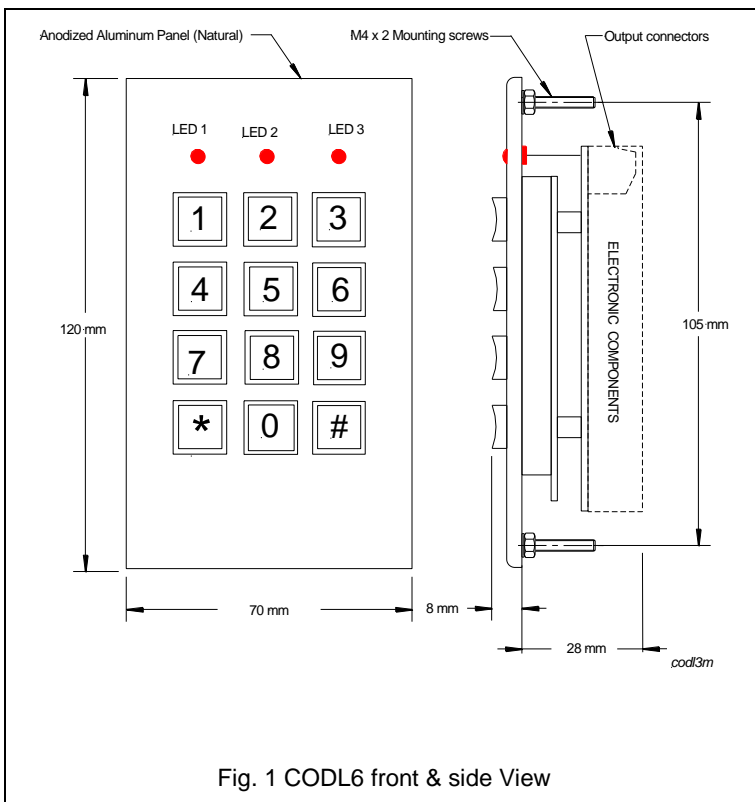


Fig. 1 CODL6 front & side View

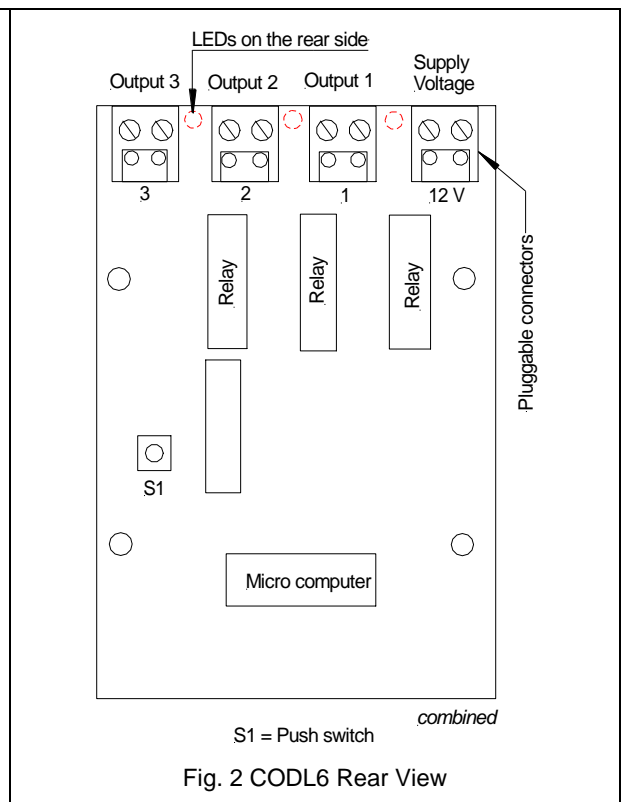
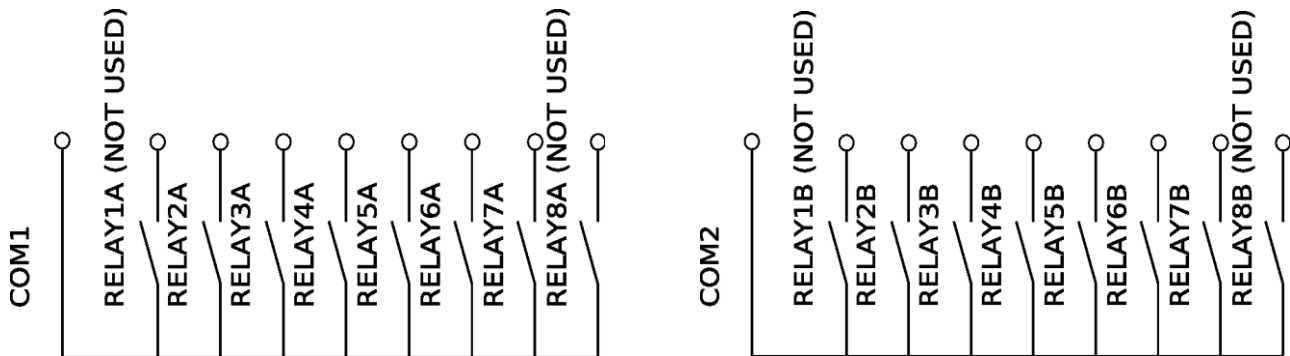


Fig. 2 CODL6 Rear View



Connecting the keypad to the DSE

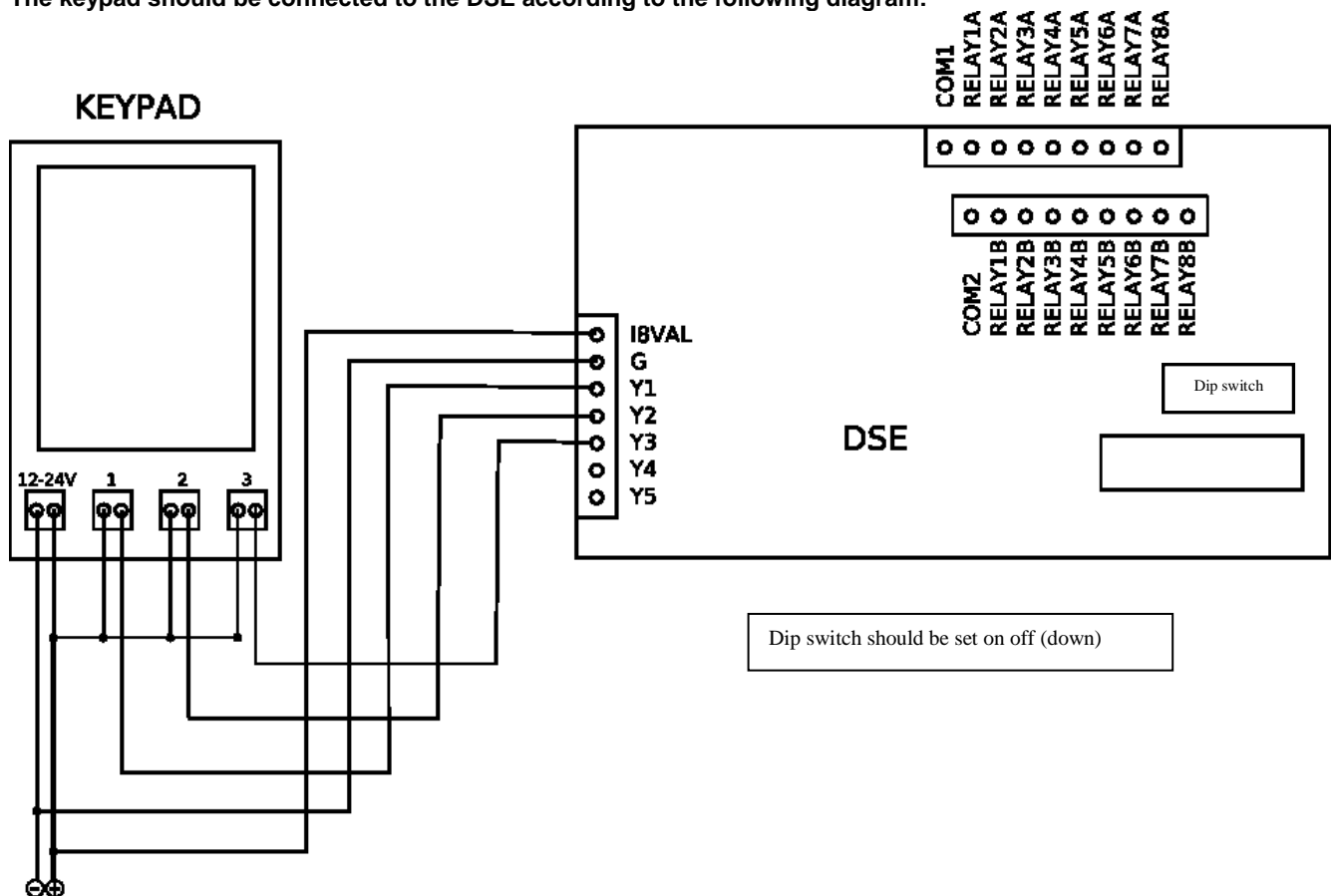
By interfacing the Keypad to the DSE it is possible get one relay activated per each valid code, put in. two n.o. contacts are associated with each relay and are available to user according to the following schematic



*Each contact is possible to handle 1A@30V

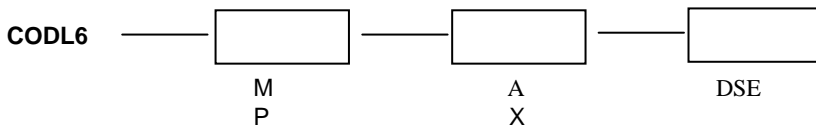
Note: when the DSE is used in conjunction with the keypad RELAY1 and RELAY8 are not in use.

The keypad should be connected to the DSE according to the following diagram:



Specifications

Supply	12V - 24V AC / DC
Current Consumption	30 mA , one relay activated.
No. of Channels	3 Independent Channels. 6 Channels using DSE extinction.
Output	Relay, 1A @ 30V DC or 0.5 A @ 125V AC For each channel. The relay will activate for two seconds after the valid code is entered.
Code Length	4 Digit for each channel.
Code Reset	By switch S1.
Packed Weight	CODL6 - 300 gr. DSE – 300 gr.

Ordering information

M	=	Metal Keypad.
P	=	Plastic Keypad.
A	=	WITH ALUMINIUM PANEL (NATURAL ANODISED)
X	=	NO ALUMINIUM PANEL
DSE	=	DSE extension board

Packing Information

Each unit is packed in an individual carton.

Bulk package of 5 units is available.

