

ELEVATOR PHOTOCELL

PHAIC

MODEL : PHAIC

DATA SHEET

- Operation range up to 4.5m.
- Unaffected by misalignment.
- Operate at full sunlight.
- Relay output N.O. and N.C. contacts (change over).
- Easy mounting.

Description

This single beam photocell is designed for use in elevators for door protection.

The unit consists of a small control box and two eyes, one Transmitter-Eye and Receiver-Eye. The eyes are usually mounted on the jambs while the PCB is usually mounted on the top of the car.

When the IR beam is not interrupted the relay is activated and a red LED is lit. When the beam is interrupted the relay is de-energised and the LED goes off.

The eyes may also be mounted on moving doors. The unit is not sensitive to the door movements during opening or closure.

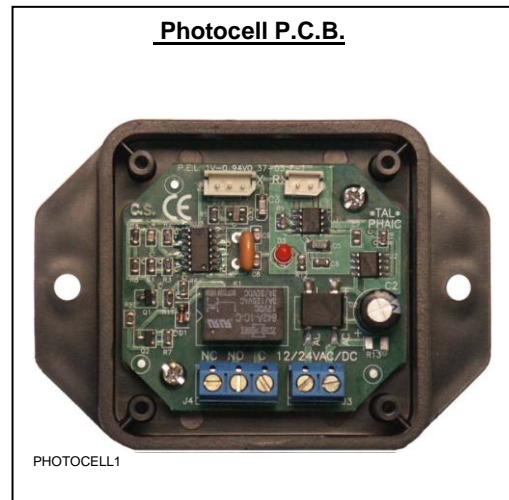
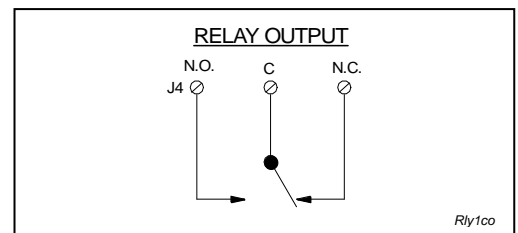
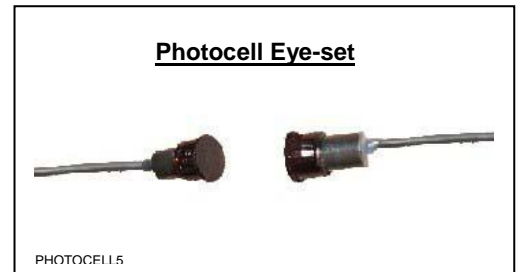
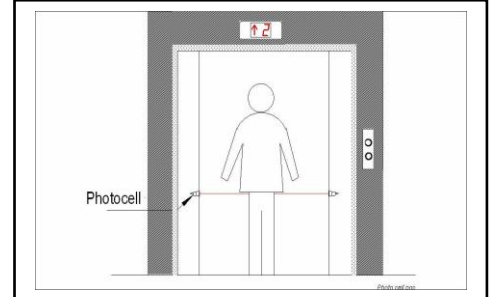
The range of operation is 0 to 4.5m maximum.

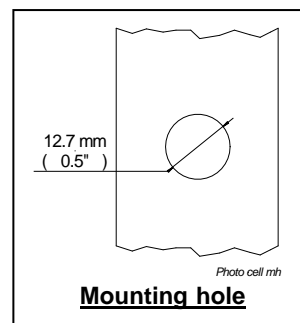
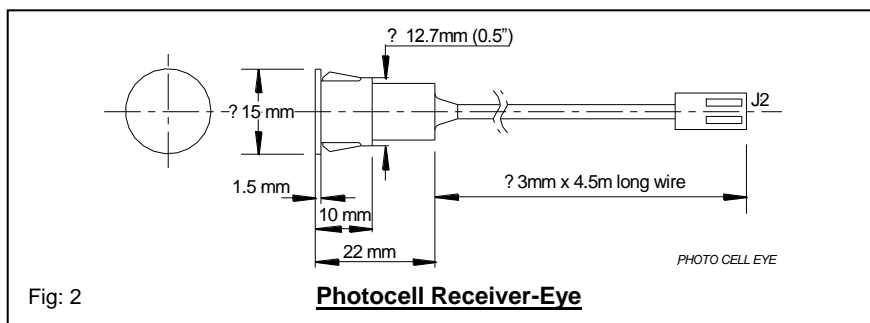
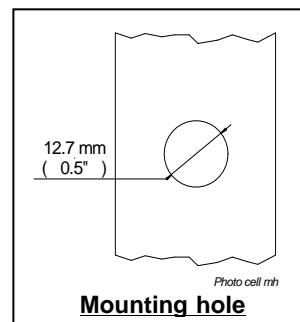
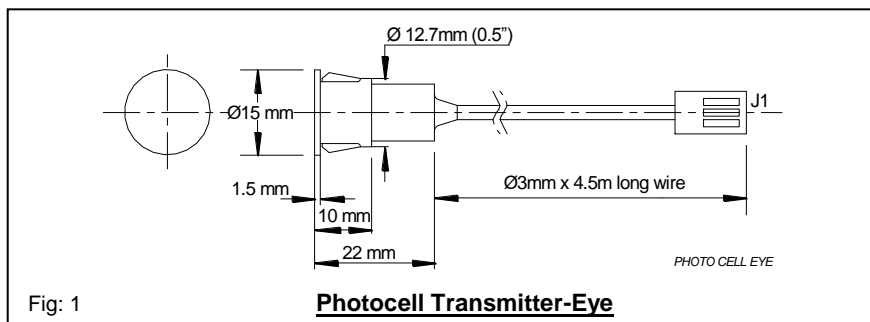
Output

The output is a one change-over relay that can handle 1A@120VAC or 2A@24V resistive load. Do not connect any voltage exceeding 120VAC. Do not connect the output relay to any part of the lift's safety chain .

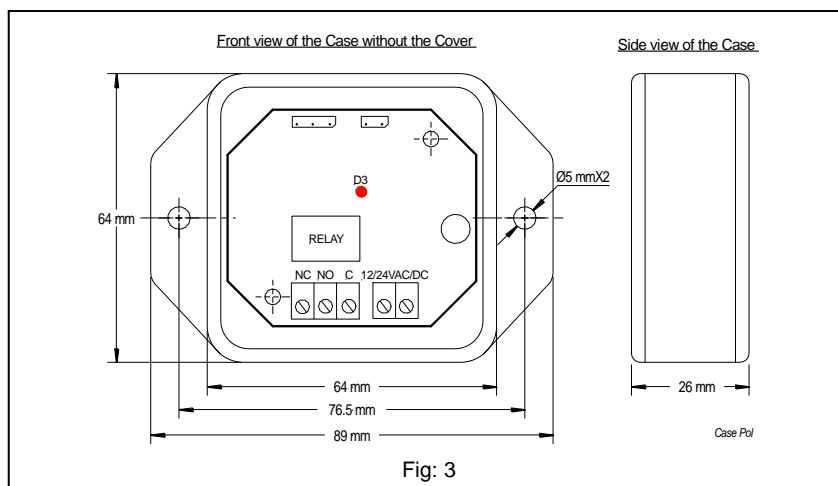
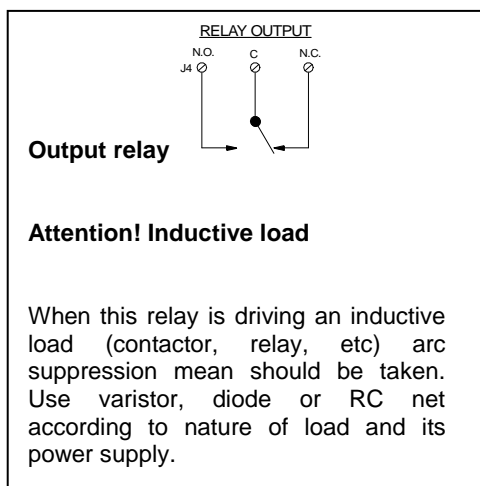
Response Time

Response time of photocell is 80 ms max. If this photocell protects a typical door, which moves at a speed of 0.3m/s, and photocell is interrupted, door will move 30 mm, before output relay will de-energise. User has to add time response of his system, which adds additional door travel before door stops.





The socket of the Transmitter-Eye must be connected to J1.
The socket of the Receiver-Eye must be connected to J2.



Specifications

Power supply	12-30V DC 100mA max (or 12-24V AC/DC)
Output	Relay output one changeover (N.O. and N.C.) 1A@120VAC res. load or 2A@24V res. load. Maximum allowed voltage is 120VAC
Operating range	0 to 4.5m max.
Ambient light	Full sunlight 65Klux, full dark.
Indications	Red LED1 is lit when beam is obstructed and relay is activated.
Response time	80ms
Weight	170 gr.

Ordering Information

Cat#: PHAIC

⚠ WARNING

The output of the PHAIC should not be connected to any part of a lift's safety chain.
The output should not be connected to any voltage exceeding 120VAC
PHAIC-single beam photocell is not a safety device (system) and must not be used as such.
PHAIC is not designed for personnel safety. and must not be used as a stand-alone personnel safety system.

Taleng reserves the right to change specifications without notice.

Taleng en Peripherals PHAIC DS v1.01 .doc

