

CALL REGISTRATION BUZZER

DDAB

Model : DDAB

DATA SHEET

EN81-70

- ❖ Audible acknowledgement for COP and Hall Fixture buttons.
- ❖ Sounds only if call is registered.
- ❖ Sounds even if call has already been registered.
- ❖ Compatible with three-wire method buttons.
- ❖ Compatible with both COP and Hall Fixture buttons.
- ❖ Only one unit required per COP no matter how many buttons in operation.
- ❖ Up and down landing call buttons can be designated with different sounds.

Description

The DDAB PCB is designed to issue a “beep” each time a call from the car or from the hall is registered by the elevator controller.

The DDAB can be programmed to sound a double “beep” for calls from the hall to travel up and a single “beep” for calls to travel down.

The DDAB is designed to work with buttons and controllers using the three-wire method, i.e. call and acknowledgment are the same wire.

Note: In order to function correctly the DDAB requires that the voltage drop across the controller output shall not exceed 1.2V.

The DDAB will sound a “beep” each time a call button is operated and the call is acknowledged by the elevator controller, even if the call has already been acknowledged (i.e. if a passenger calls for the elevator to stop at a landing stage that the elevator has already been called to).

One DDAB is required for the COP, and is generally installed behind the panel.

One DDAB is required for each landing and is generally installed behind hall fixture.

The DDAB has an on-board trimming potentiometer (R6) to allow adjustment of the volume.

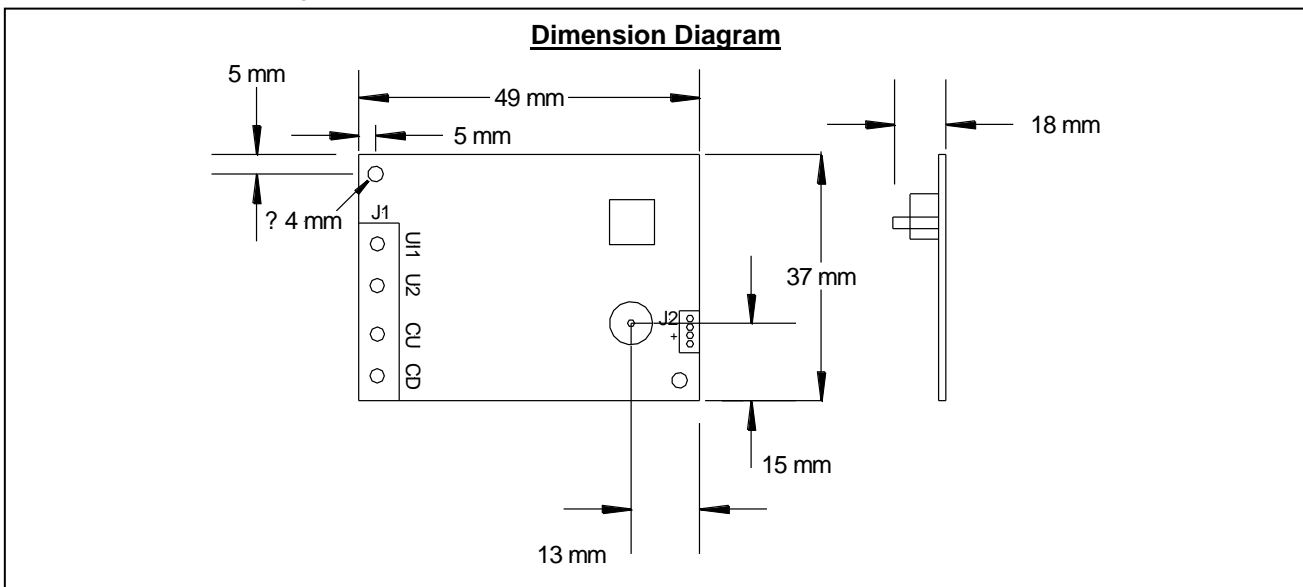
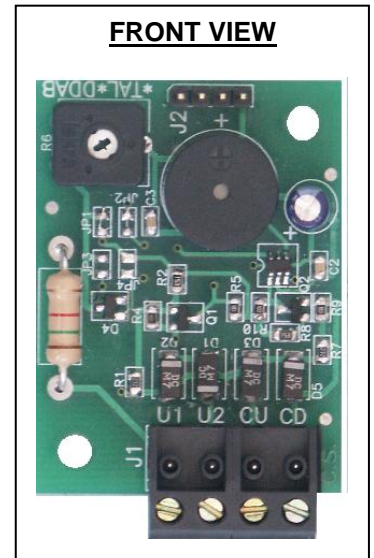
Inputs

U1 = +24V Power Supply.

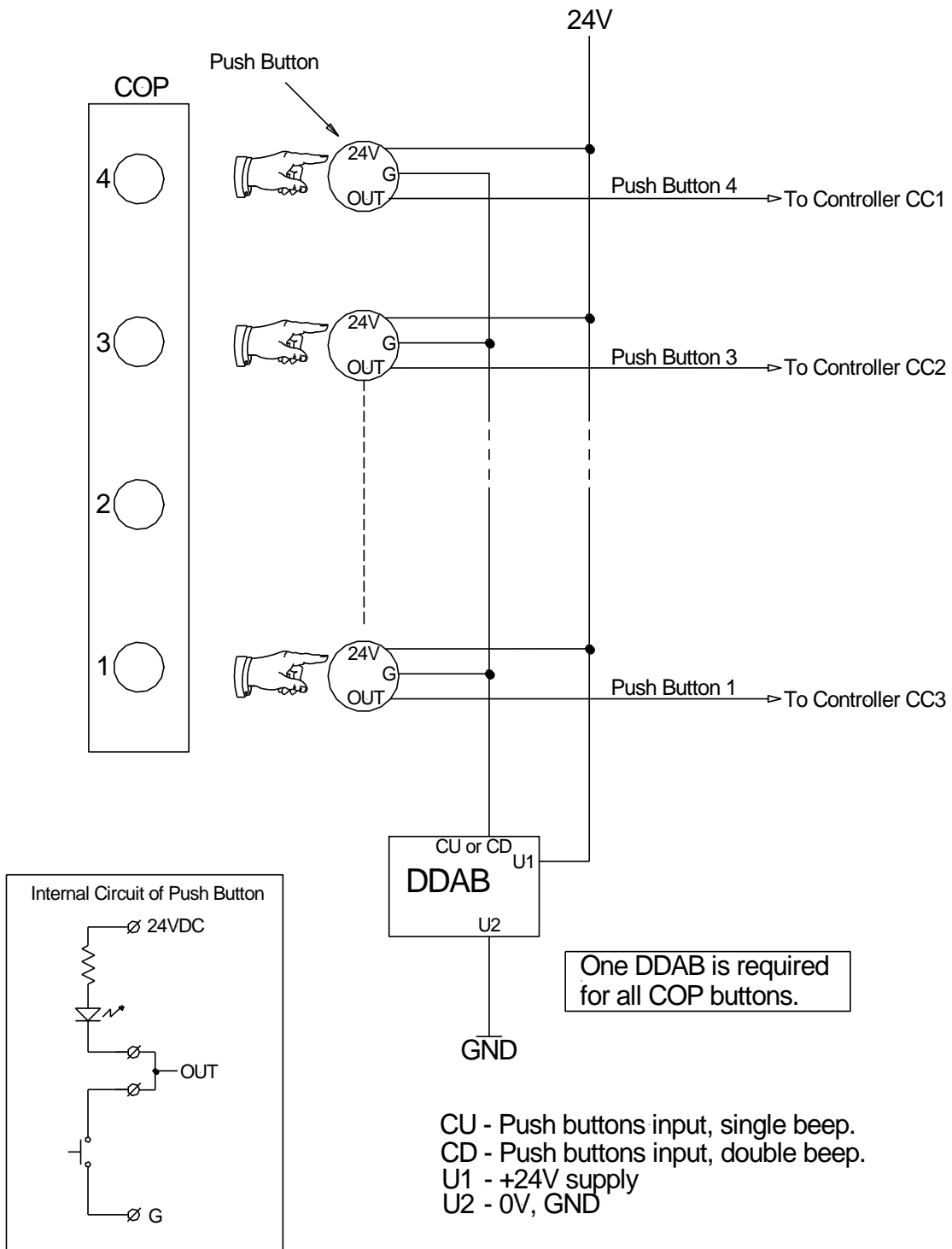
U2 = 0V, GND.

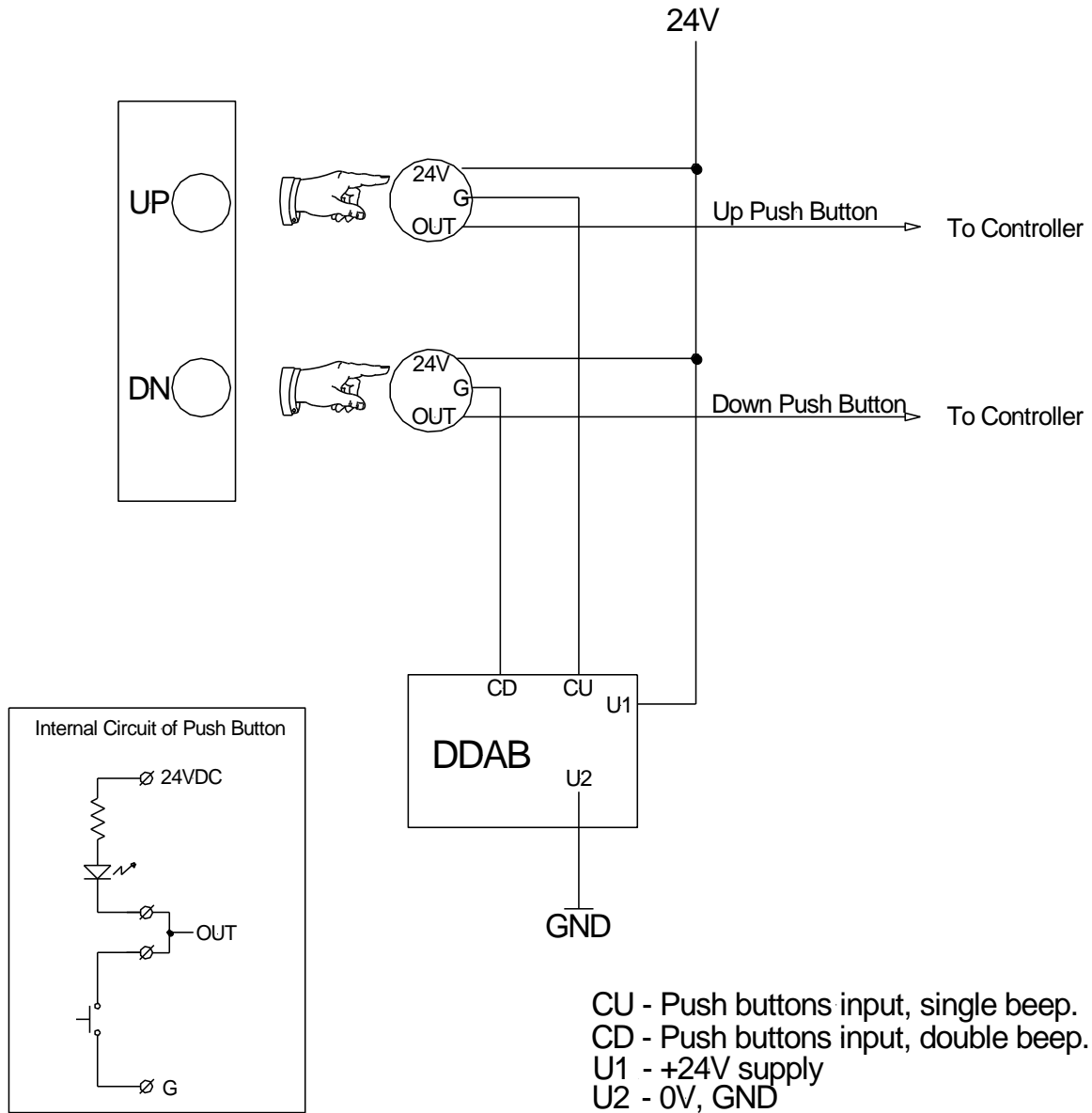
CD = Push button input, double “beep”.

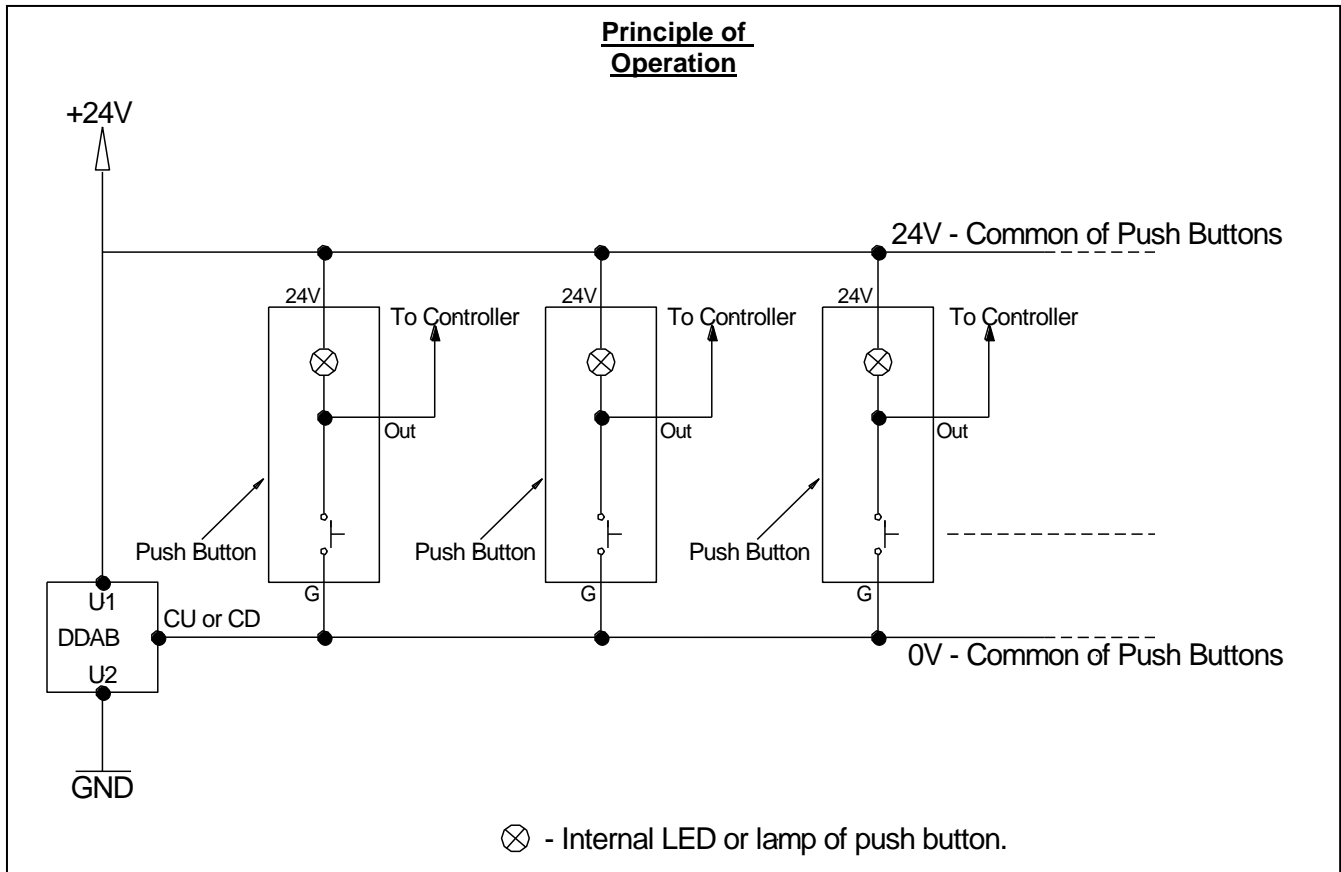
CU = Push button input, single “beep”.



COP Electrical Connection Diagram



Landing Station Connection Diagram

**Specifications**

Supply Voltage	24VDC \pm 20%.
Current Consumption	10mA Peak: 25mA.
Tone Types	Single "beep" (input CU), double "beep" (input CD).
Tone Duration	100ms.
Tone Frequency	4KHz.
Volume Control	On board potentiometer.
Max. Sound Level	83 dBA@10Cm from buzzer.

Ordering information

DDAB	Audible Call Acknowledgement System.
------	--------------------------------------