

LIFT VOICE ANNOUNCER DBRSR

DBRSR Lift Voice Announcer



Specifications

Power Supply:

18-24VDCm

Current Consumption:

50mA

Inputs:

32V DC max

Messages :

- Inputs for 1-32 floors.
- 1-6 auxiliary messages can be selected.

Signalization:

- Binary Code
- Binary Inverse Code
- Gray Code
- One Wire for Messages
- Independent Device
- With/Without Talk
- Dedicated USB/PC Loader

Packed Weight:

200 g.

Features

- Clear sound quality. **[HI-FI]**
- Solid State Recording
- *.WAV files can be downloaded and parameters are programmed with WAVEPLAY.
- Binary, Binary Inverse, Gray Code, One Wire for Messages or Independent Device interfaces for any lift controller.
- Plays music or messages in WAV-file format (16 bit - 22 KHz).
- Programmable by Taleng PC Voice Loader Program.
- Up to 32 messages.
- Record time **180** sec. standard up to **700** sec optional.
- Programmable USB. **Power supply not needed.**
- Background music as an option
- Build-in Gong unit.
- Up to 6 auxiliary messages.

Description

The speech unit is a microcomputer based message enunciator for elevators.

There are two message lists used for different purposes:

1. Sequential messages for announcement on each floor.
2. Auxiliary messages for special announcements.

Messages can be edited and recorded via a PC, or on-site using a laptop, and then downloaded to the unit for playback.

Technical Information

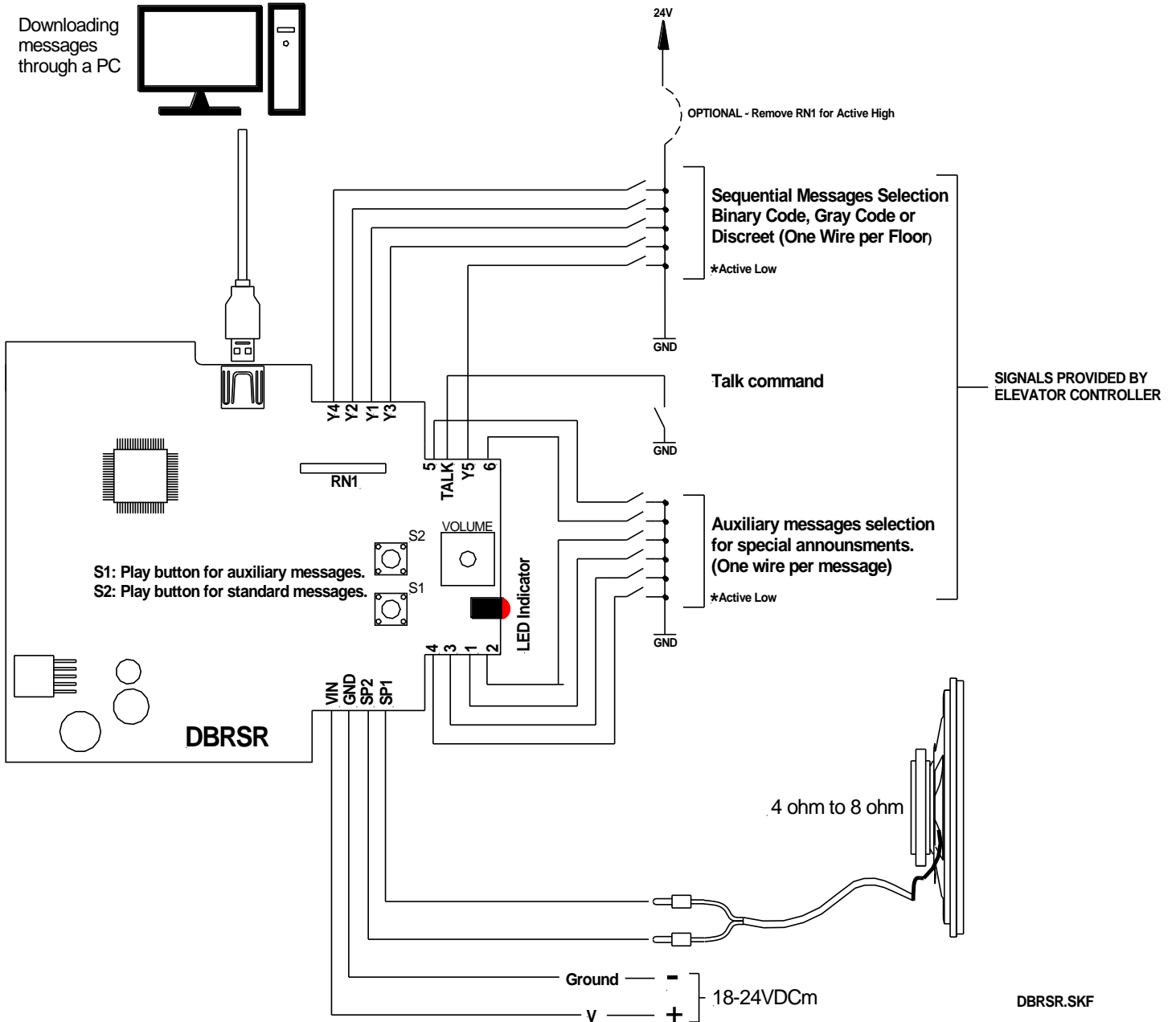
Logic Input levels	0v < 5v, 10v > 32v.
Audio input level	100 mV
Audio output level	10W max.
.wave file properties	22KHz, 16 Bit, Mono
Total recording time	180 sec. standard up to 700 sec optional
Max single message time	180 sec. standard up to 700 sec optional
Housing	Interface Module, or with no housing.
Package Dimension	116mm x 100mm x 23mm
Contents of package	Speech Unit Module



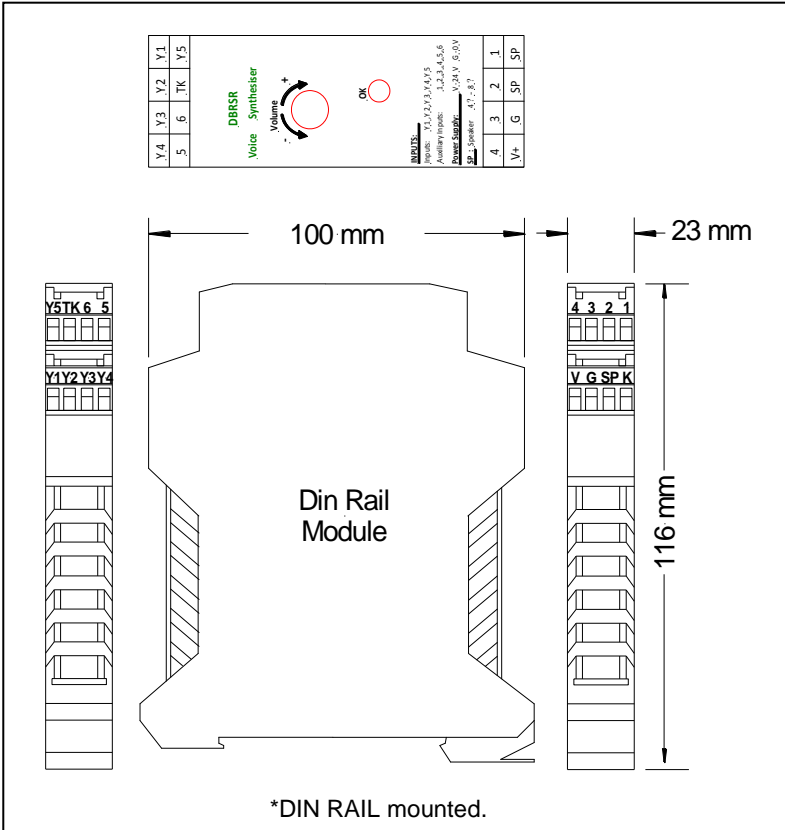
Advanced Features

- USB can be used **without** a need of an external power supply.
- Messages Signalization mode can be programmed by **Taleng PC Voice Loader Program**.

Connection Diagram

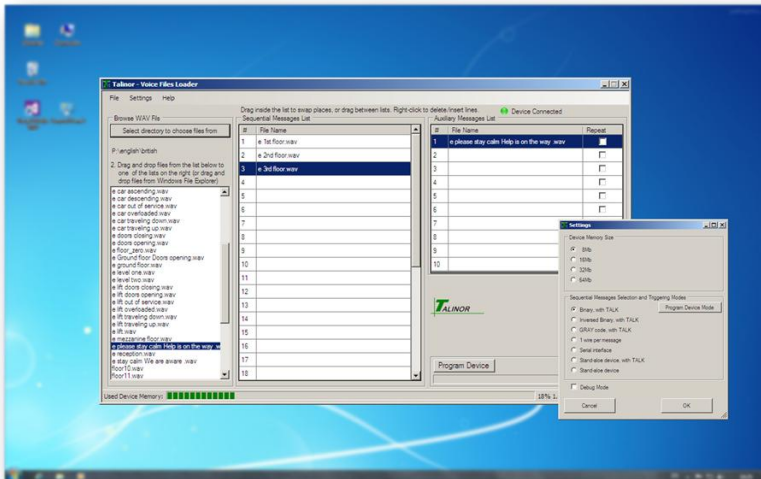


Dimensions



DBRSR PC Voice Loader Program

DBRSR PC Voice Loader can program the speech unit with only USB, without any need of a power supply.



- Signalization mode can be programmed by **Taleng PC Voice Loader Program**.

Ordering Information

DBRSR - Recording Time

- 180 Seconds
- 350 Seconds
- 700 Seconds

Tal Engineering Ltd. reserves the right to change specifications without notice.

Taleng en Peripherals DBRSR DS v1.01

