

# MODULEX

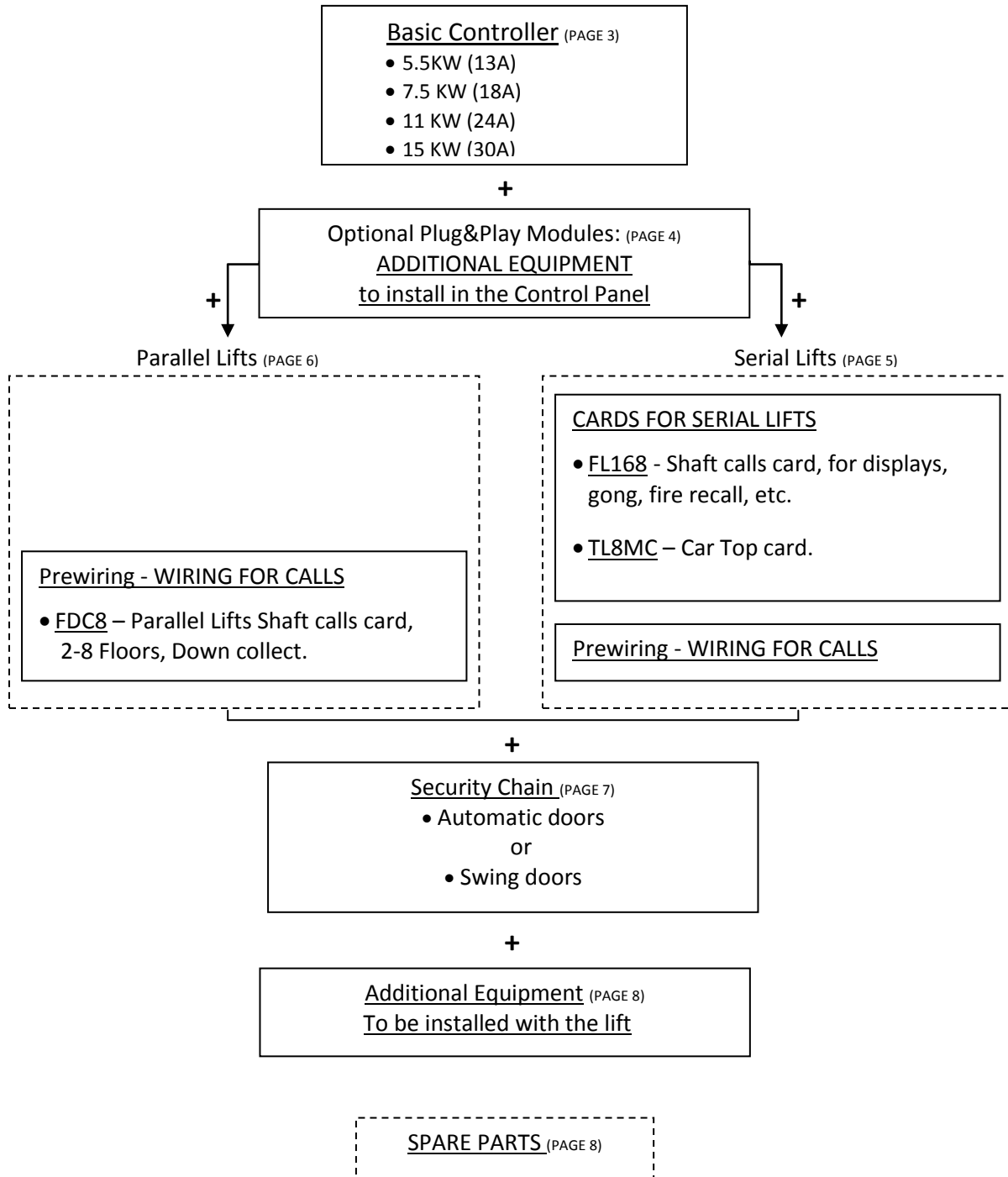
## Talinor Modular Control Panel

### VVVF Open Loop or Closed Loop

## ~ Selection Guide ~



## Modulex - Talinor Modular Control Panel



**Basic Control 5.5KW, 7.5KW, 11KW,15 KW**  
**VVVF Open or Closed Loop | Parallel or Serial**

- VVVF Open Loop or VVVF Closed Loop
- Parallel or Serial signalisation
- TL168\TL6 Controller
- Open Loop: 5.5KW (13A) or 7.5KW (18A) or 11KW (24A) or 15KW (30A), FUJI, EMC Filter  
 Closed Loop: 5.5KW (13.5A) or 7.5KW (18.5A) or 11KW (24.5A), FUJI, EMC Filter
- Lifts up to 2.0m/s max
- Power 3X415+N
- Up to 8 floors max, full collect - Parallel  
 Up to 12 floors max, down collect - Parallel\*  
 Up to 32 floors max, full collect or down collect - Serial
- Door operator: VVVF with limit switches
- Brake: 110VDC / 60VDC / 48VDC
- Security Chain: 110VAC, 1A
- Direction Arrows: 2A, 24V - Parallel Lifts
- Display Output: Binary (Parallel lifts) or Serial
- Load and Full-Load inputs
- Permanent cabin light
- Phase inversion unit
- Photo-electric card input
- Motor thermistor input (PTC or contact)
- Cabin stop button input
- Car preference
- Galvanized cabinet, size 610mmX800mmX260mm
- **For a complete list see the user guide manual**
- **For Hydraulic control panels or VVVF control panels with more then 15KW please contact us**

\* 8 additional floors available using TL8E extension board.

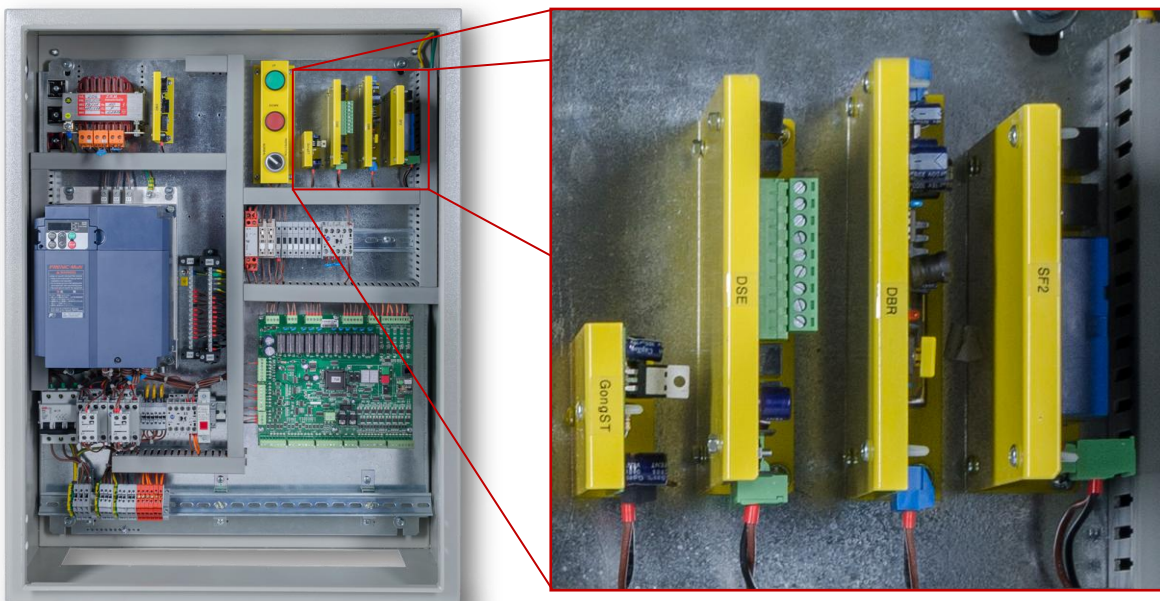
CAT#	Description
TL5.5OL	Open-Loop Control panel, 5.5KW 13A
TL7.5OL	Open-Loop Control panel, 7.5KW 18A
TL11OL	Open-Loop Control panel ,11KW 24A
TL15OL	Open-Loop Control panel ,15KW 30A

CAT#	Description
TL5.5CL	Closed-Loop Control panel, 5.5KW 13.5A
TL7.5CL	Closed-Loop Control panel, 7.5KW 18.5A
TL11CL	Closed-Loop Control panel ,11KW 24.5A

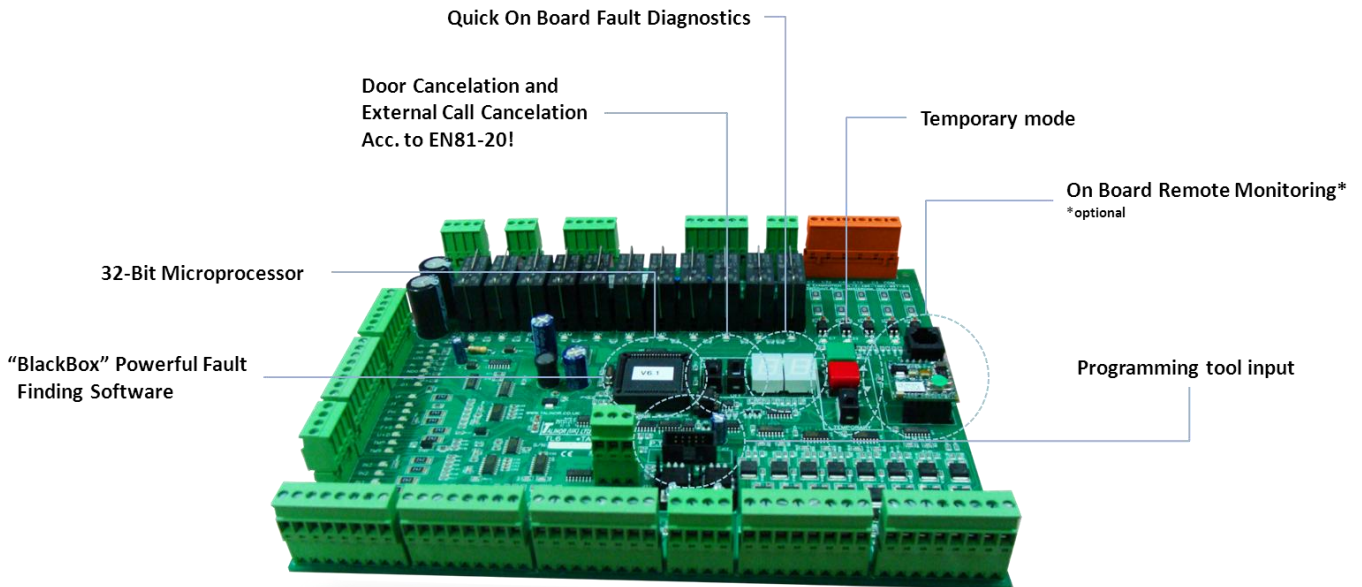
**Optional Plug&Play modules:  
ADDITIONAL EQUIPMENT  
 to install in the Control Panel**

	CAT#	Description
1	DMM380	Module for 3X380 VAC Door Operator
2	DMM240	Module for 1X240 VAC Door Operator
3	DBR39	Module Speech Units + 70mm Speaker
4	GONG-ST	Module Gong - Parallel or Serial Lifts
5	HWDL	Module for Manual Emergency Release
6	DSE	General Lifts Module (Parallel Lifts) Landing gong distribution or One wire per floor display
7	CAM	Module for Retiring CAM - Swing Door CAM 110VDC / 60VDC / 48VDC *CAM and Brake voltage must be the same
8	SF2	Module for security chain bridging (Fixed CAM)
9	TL8E	Module for selective doors or Additional 8 floors (Parallel lifts)
10	RLM	Module Relays for: buzzer/nudge, overload buzzer, automatic car light, door open buzzer, etc.
11	A3	Module A3
12	MODEM	Module for Remote Monitoring
13	RES800	Braking Resistor

**Example for optional Plug&Play modules**



## TL6 Lifts Controller - For VVVF or Hydraulic Lifts



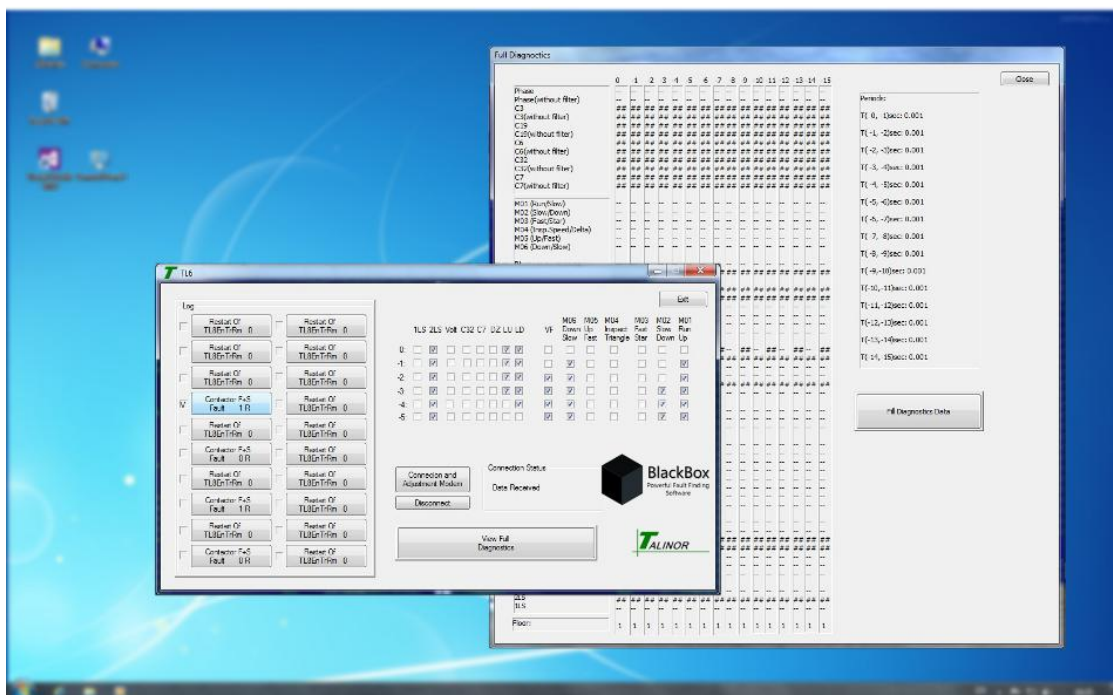
### Remote Monitoring & "BlackBox" powerful fault finding software

Talino on board remote monitoring combined with Talino "BlackBox" powerful fault finding software enables Talino support team to "see" everything that is going on in the controller:

- Inputs
- Outputs
- Raw data coming into the processor + after processor filter
- The ability to trace back faults, inputs or outputs

This tool is MUCH more powerful than the programing tool, due to the fact that, it allows Talino support team to "see" the controller as if looking from within the controller processor itself!

And just like an airplane blackbox, this tool helps to trace and solve most of the lift faults FAST!



**Serial Signalization**

Cards for Serial Signalisation

CAT#	Description
13	FL16 Shaft calls card, for displays, gong, fire recall, etc
14	TL8MC Car Top card

Plug&Play PREWIRING - WIRING FOR CALLS STANDARD

CAT#	Description
15	FLA Serial BUS LOOM A - 8 meter
16	FLB Serial BUS LOOM B - 3.5 meter
17	FLF Serial BUS LOOM F - 2 meter

\*For non-standard loom, please contact us



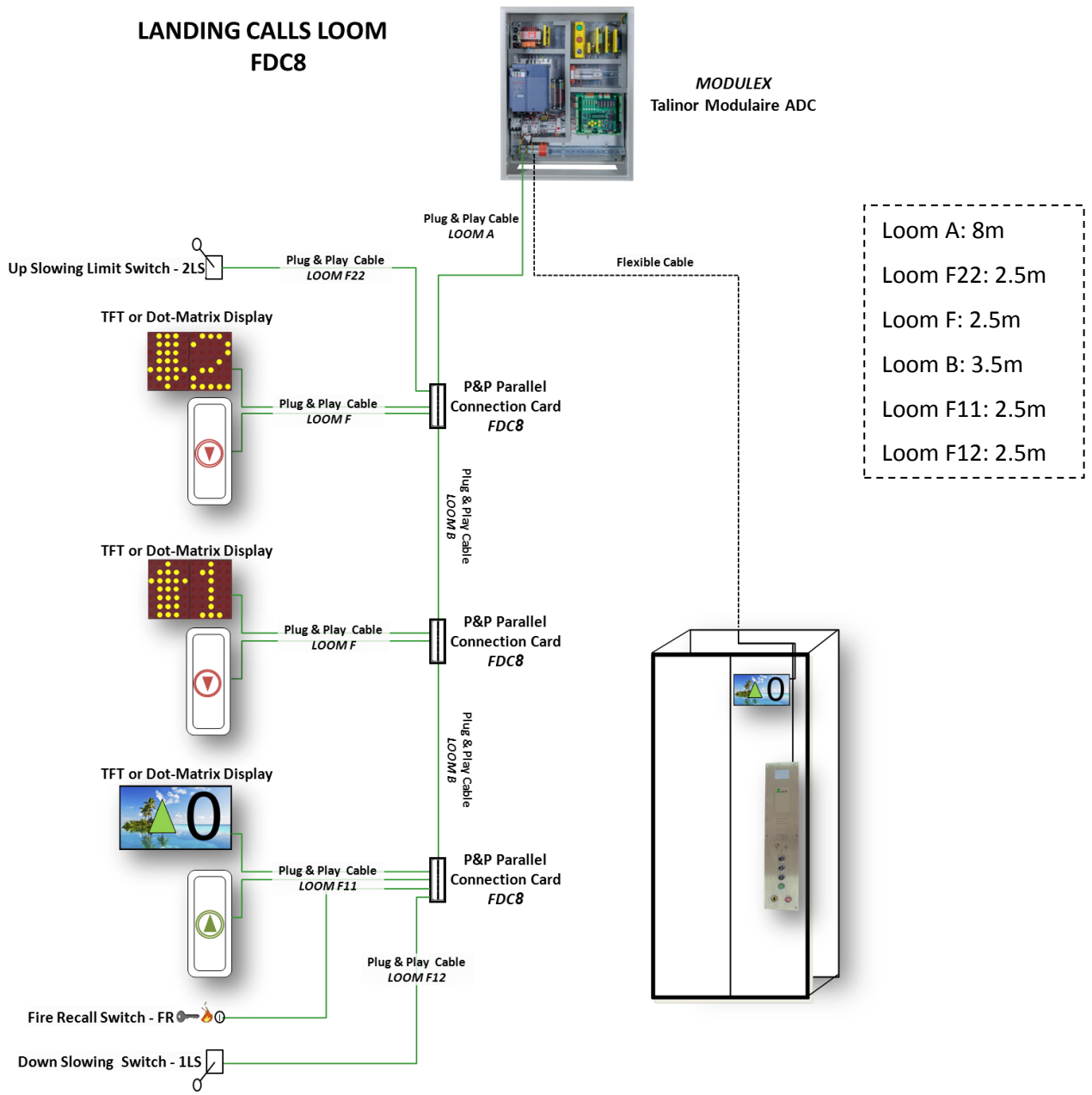
### Parallel Signalization

**Plug&Play PREWIRING - Parallel Signalisation STANDARD**

**Shaft calls card, 2-8 Floors, Down Collect**

CAT#	Description	CAT#	Description
FDC8-02	Up to 2 Floors	FDC8-06	Up to 6 Floors
FDC8-03	Up to 3 Floors	FDC8-07	Up to 7 Floors
FDC8-04	Up to 4 Floors	FDC8-08	Up to 8 Floors
FDC8-05	Up to 5 Floors		

\*For non-standard loom, please contact us

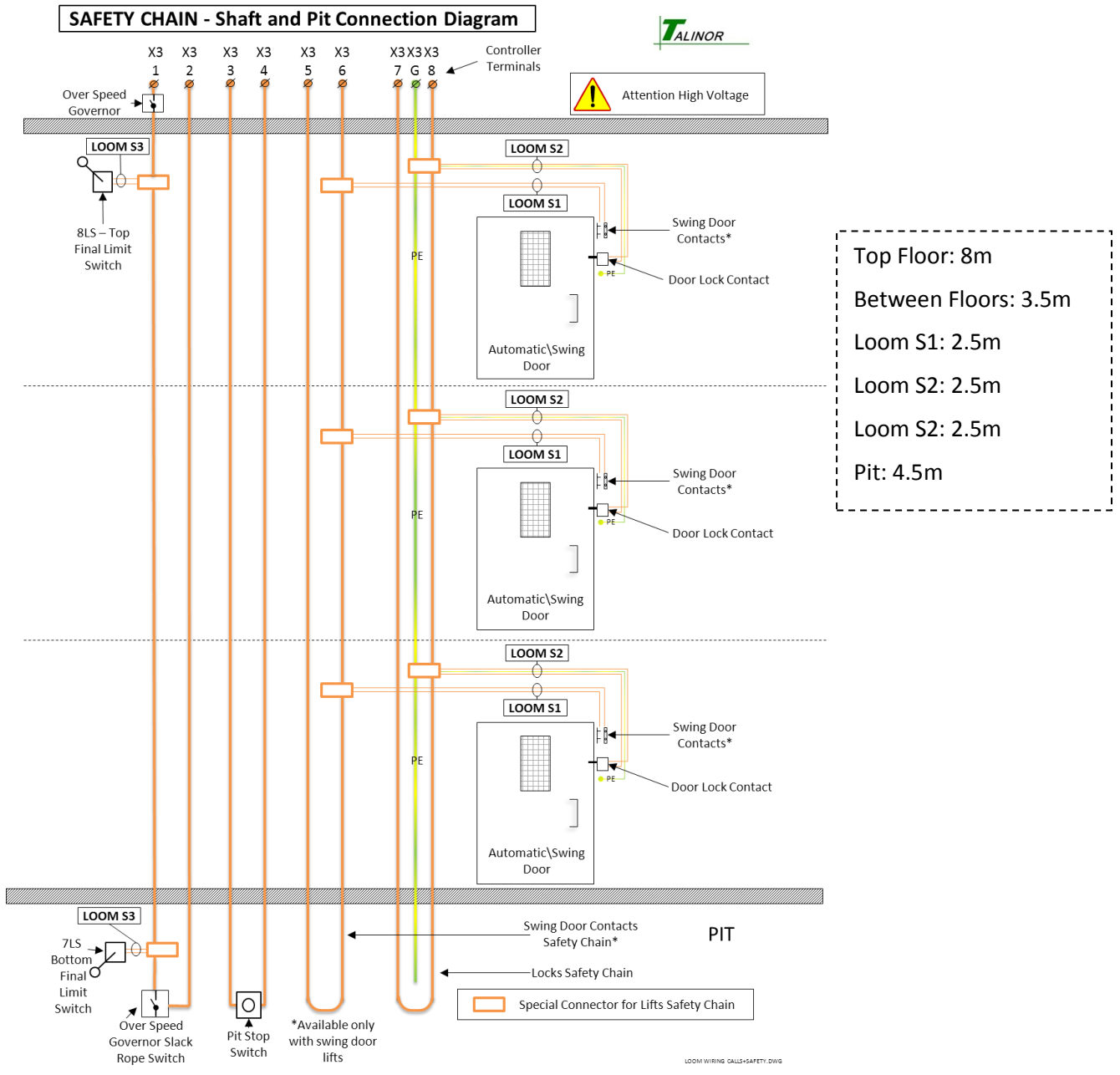


### Security Chain Parallel or Serial

#### PREWIRING – Security Chain STANDARD

CAT#	Automatic Doors	CAT#	Manual Doors
CDC-02A	Up to 2 Floors	CDC-02S	Up to 2 Floors
CDC-03A	Up to 3 Floors	CDC-03S	Up to 3 Floors
CDC-04A	Up to 4 Floors	CDC-04S	Up to 4 Floors
CDC-05A	Up to 5 Floors	CDC-05S	Up to 5 Floors
CDC-06A	Up to 6 Floors	CDC-06S	Up to 6 Floors
CDC-07A	Up to 7 Floors	CDC-07S	Up to 7 Floors
CDC-08A	Up to 8 Floors	CDC-08S	Up to 8 Floors

\*For non-standard loom, please contact us





**Additional Equipment**  
To be installed with the lift

	CAT#	Description
23	SHAG	Magnetic Sensors + Magnets
24	DM2M2	2 Dot-Matrix Display, Parallel or Serial Lifts
25	DDAB	Call Buzzer
26	-	Shielded motor cable - 5 meter
27	-	Shielded motor cable - 10 meter

**SPARE PARTS**

	CAT#	Description
28	TL168	Lift Controller Board
29	TL6	Lift Controller Board

**Extensive Technical Support**



Controller support service  
 For immediate assistance!

**Freephone**  
**0800 028 9986**

or

[technical.support@talinor.co.uk](mailto:technical.support@talinor.co.uk)

