

ECONO LIGHT: POWER SAVING CAR LIGHTING SYSTEM WITH OPTIONAL EMERGENCY LIGHT BACK-UP

EL

Data Sheet

Car Light

- ❖ Heatless car lighting
- ❖ Energy saving lamps (EL)
- ❖ Long lasting light source (15,000 hours of continuous lighting)
- ❖ Powder coated white or stainless steel finish available
- ❖ Over 75% energy saving
- ❖ Widely available 7W to 13W lamp models
- ❖ Secure fitting to prevent unauthorized lamp removal

Emergency Light

- ❖ During emergency one lamp is lit for up to four hours
- ❖ Battery charging indicator
- ❖ Long battery shelf-life without charging
- ❖ Protection against over-charge and over-discharge
- ❖ Durable steel car-top enclosure
- ❖ 12V output for emergency bell

Description

The EL light is a high efficiency, low heat lighting system for lift cars.

The system combines of light unit (model codes: EL - GX 53 - X) and an optional emergency power supply (model code: ECONO).

In case of power outage the emergency power supply will supply voltage to one of the lamps as the emergency light, keeping it lit at full intensity. The battery can maintain emergency lighting for up to 4 hours. The unit also provides 12V output for an alarm bell.

Light Unit - GX53

The GX 53 is an EL (Econo Light - energy saving lamp) with integrated electronic ballast.

This light source is characterised by long life and strong light output.

The light unit is a ceiling mounted down light.

The light units are available powder-coated white or in a stainless steel finish.

Emergency Power Supply – ECONO (optional)

In case of power outage the emergency power supply powers one light unit at a full intensity.

The car is never left in darkness. There is also a 12V output for an emergency alarm bell.

Note: the GX53 long life high efficiency lamps cannot be switched on and off rapidly since they have a warm up time.

Therefore in lift use (car lighting) these lamps should stay on all times without being switched off during car parking.

This is usually not a problem since energy consumption is negligible.

GX 53 Light Unit

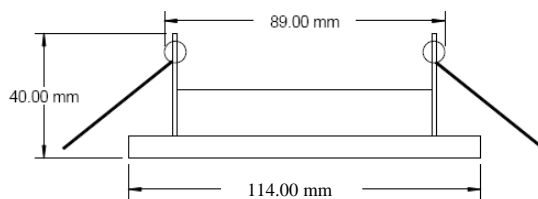


**ECONO - Emergency Power Supply
Optional**

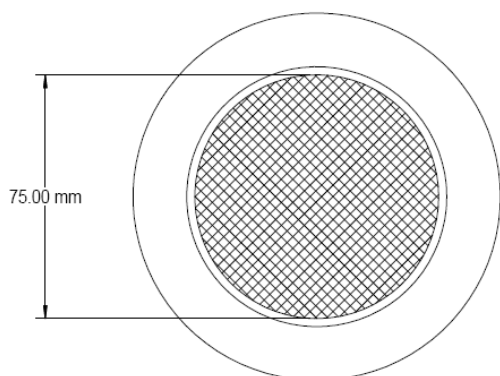


Lamp fixture dimensions

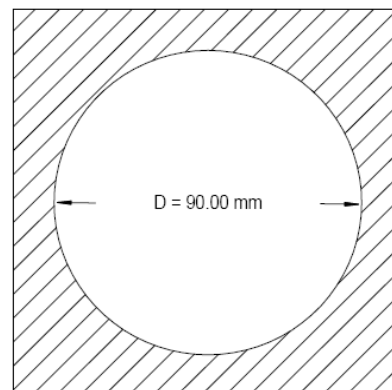
Side view



Lamp diameter



Cut-out for mounting the light unit

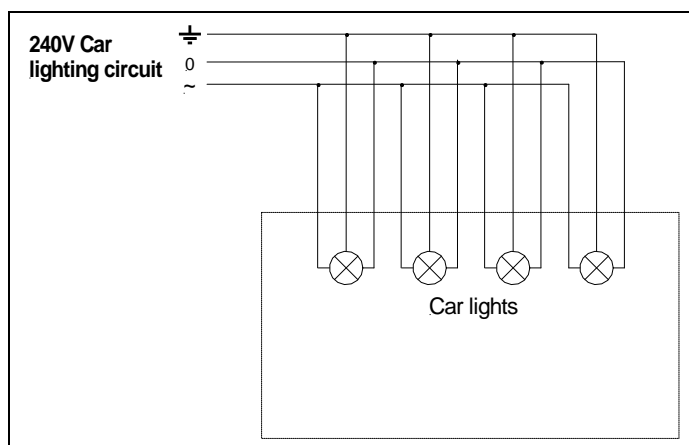


GX53 Lamp

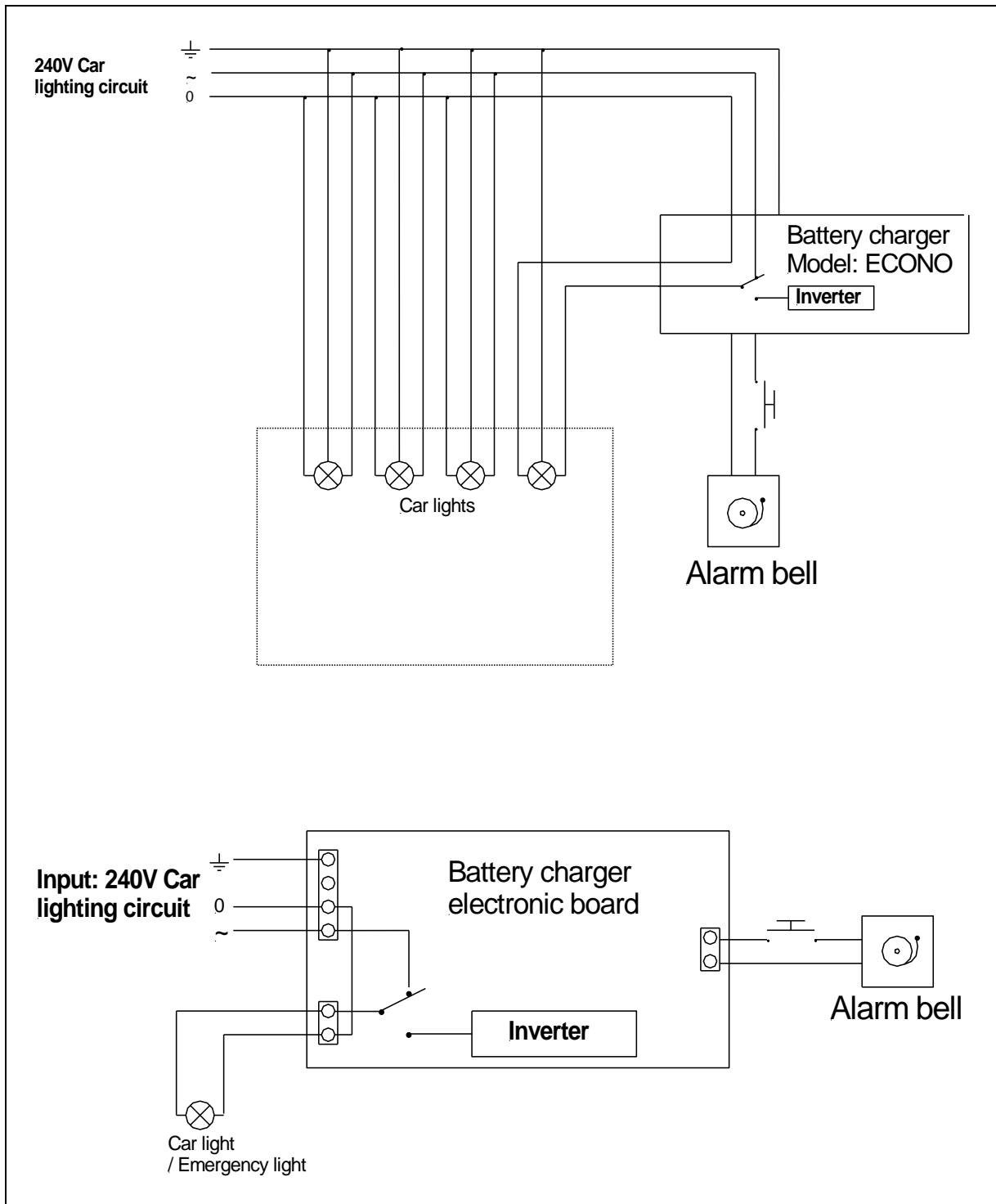
The GX53 are common standard lamps and are available in this modules:

Lamp fixture	Module	Wattage (W)	Halogen equivalent
GX53	GX0107i	7W	35W
GX53	GX0109i	9W	40W
GX53	GX0113i	13W	50W

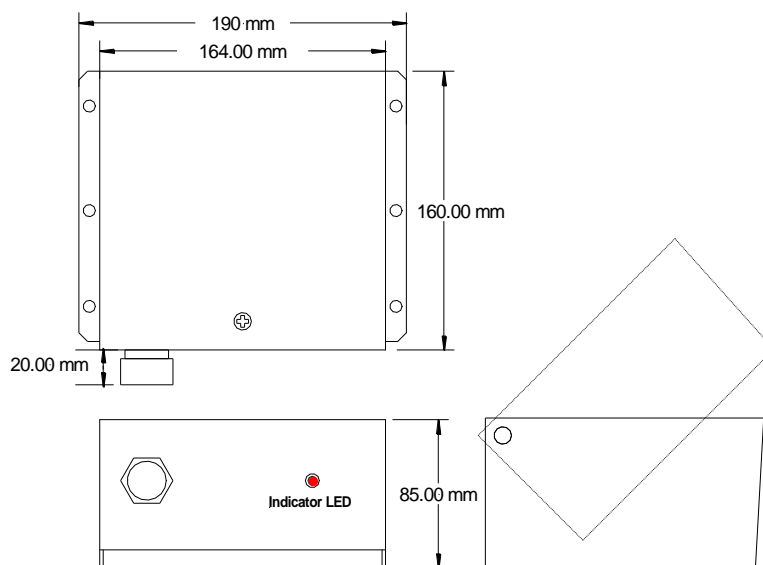
connection diagram (with no optional emergency light charger)



Connection diagram of the optional emergency light charger



ECONO – Emergency power supply enclosure dimensions



Specifications

Lamp fixture

Mains supply	240VAC, protective earth (PE) wire.
Lamp average life	15000 hours.
Lamp fixture wire length	16 cm.
Light unit GX53 weight	260g.
Lamp Wattage	7w, 9w or 13w.

Emergency charger

Output to emergency light unit	240VAC.
Emergency light duration	Four hours.
Protection fuses	0.5A Mains fuse, 1A lamp fuse, 1A bell fuse.
Battery type	Sealed lead Acid, 12V, 3.2Ah.
Low battery cut off voltage	10.1VDC.
Packed weight	Emergency Power Supply: 2.6kg.

Ordering Information

1) Lamp fixture

Cat. No. : EL - GX53 -



- 7 – 7 watt
- 9 – 9 watt
- 13 – 13 watt

2) Emergency charger

Cat. No. : ECONO

PLEASE NOTE: The GX 53 light fixtures can be purchased and fitted independently of the ECONO emergency charger unit. The ECONO emergency charger can be bought and fitted independently of the GX 53 light units, however, the ECONO emergency charger unit can only be used with ELs (energy saving lights).
If required for fitting into pre-existing lighting systems please check compatibility with manufacturer first!